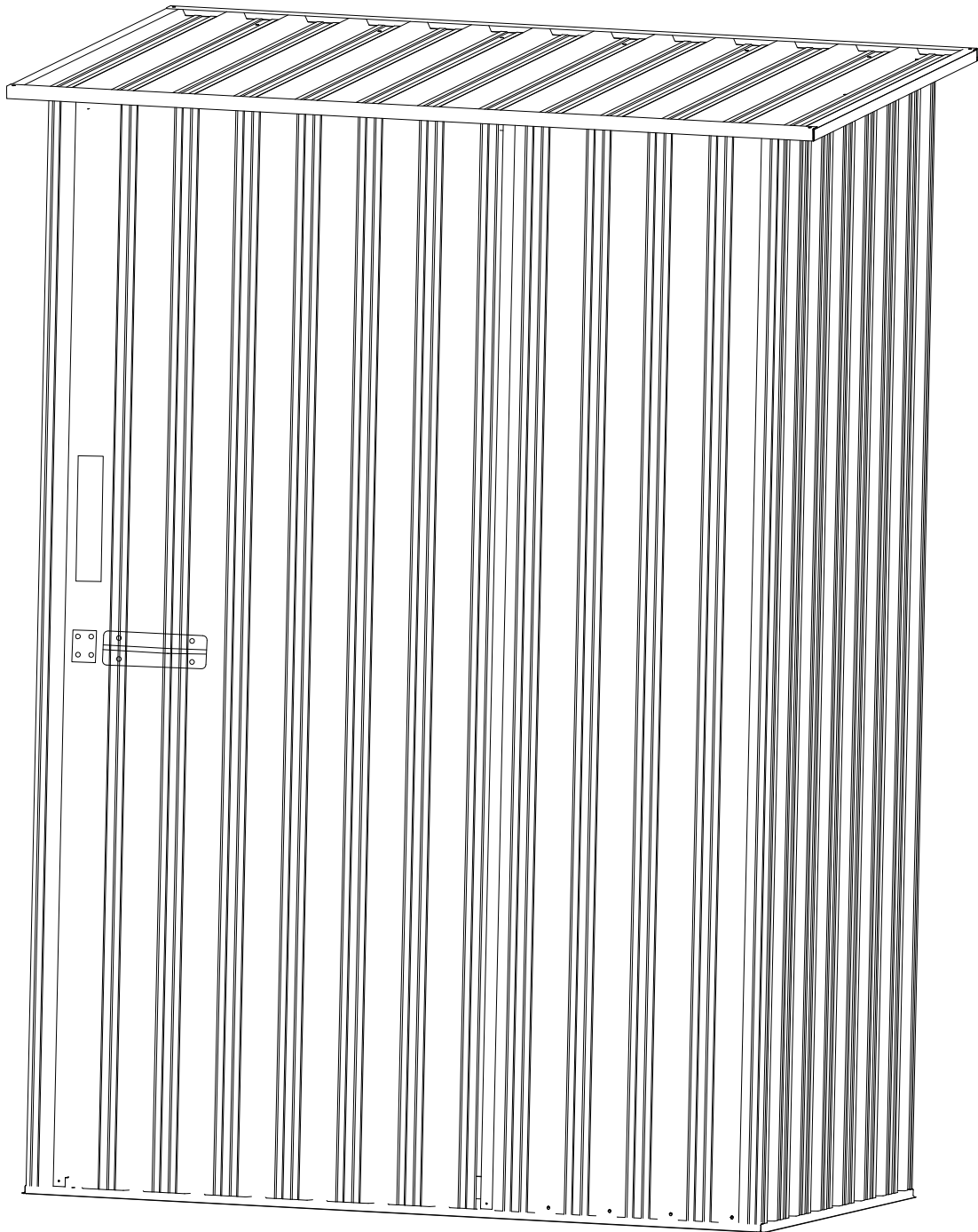


Metal Garden Shed

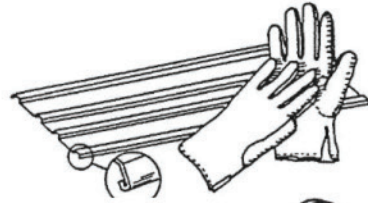


REQUIRES AT LEAST 2 PEOPLE FOR SET UP

SAFETY FIRST

Safety precautions are important to follow throughout the construction of your building

•Care must be taken when handling various pieces of your building since some contain sharp edges. Please wear work gloves, eye protection and long sleeves when assembling or performing any maintenance on your building



•Keep children and pets away from worksite to avoid distractions and any accidents which may occur.



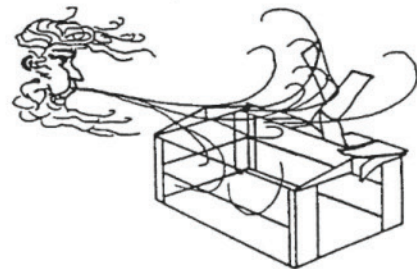
•Never concentrate your total weight on the roof of the building. When using a step ladder make sure that it is fully open and on even ground before climbing on it.



•Practice caution with the tools being used in the assembly of this building. Be familiar with the operation of all power tools.



•Do not attempt to assemble the building if parts are missing because any building left partially assembled may be seriously damaged by light winds



•Do not attempt to assemble the building on a windy day, because the large panels acting as a "sail", can be whipped about by the wind making construction difficult and unsafe.



CARE & MAINTENANCE

Finish: For long lasting finish, periodically clean and wax the exterior surface. Touch-up scratches as soon as you notice them on your unit. Immediately clean the area with a wire brush; wash it and apply touch-up paint per manufacturer's recommendation.

Roof: Keep roof clear of leaves and snow with long handled, soft-bristled broom. Heavy amounts of snow on roof can damage building making it unsafe to enter. In snow country, Roof Strengthening Kits are available for most YardShed for added protection against heavy snow accumulation.

Doors: Always keep the door tracks clear of dirt and other debris that prevent them from sliding easily. Lubricate door track annually with furniture polish or silicone spray. Keep doors closed and locked to prevent wind damage

Fasteners: Use all washers supplied to protect against weather infiltration and to protect the metal from being scratched by screws. Regularly check your building for loose screws, bolts, nuts, etc. and retighten them as necessary.

Moisture: A plastic sheet (vapor barrier) placed under the entire floor area with good ventilation will reduce condensation.

Other Tips....

- Wash off inked part numbers on coated panels with soap and water.
- Silicone caulking may be used for watertight seals throughout the building.

Do not store swimming pool chemicals in your building. Combustibles and corrosives must be stored in air tight approved containers.

Foundation

Selecting and Preparing Your Site: Before assembly, you will want to decide on a location for your building.

The best location is a level area with good drainage.

•Allow enough working space for ease of moving parts into position during assembly. Be sure there will be enough space at entrance for doors to open fully and enough space around the building to be able to fasten the panel screws from the outside.

•Before you begin the first steps in assembling your parts, a foundation should be constructed should be ready to use.

OPTION 1: Wood Platform

If you decide to build your own foundation, be sure to select the appropriate materials.

These are the recommended materials for your foundation:

- 2 x 4's (5cm x 10cm) Pressure Treated Lumber
- 5/8" (1,5cm) 4 x 8 (122cm x 244cm) Plywood-exterior grade or wood floor
- 10 & 4 penny Galvanized Nails

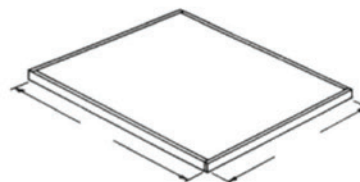


OPTION 2: Concrete Slab

The slab should be at least 3" to 4" (8-10cm) thick. It must be level and flat to provide good support for the frame.

The following are the recommended materials for your foundation.

- 1 x 4's (2,5cm x 10cm) (will be removed once the concrete cures)
- Concrete • Sheet of 6 mil plastic
- We recommend for a proper strength concrete to use a mix of:
1 part cement • 3 parts pea sized gravel • 2 1/2 parts clean sand

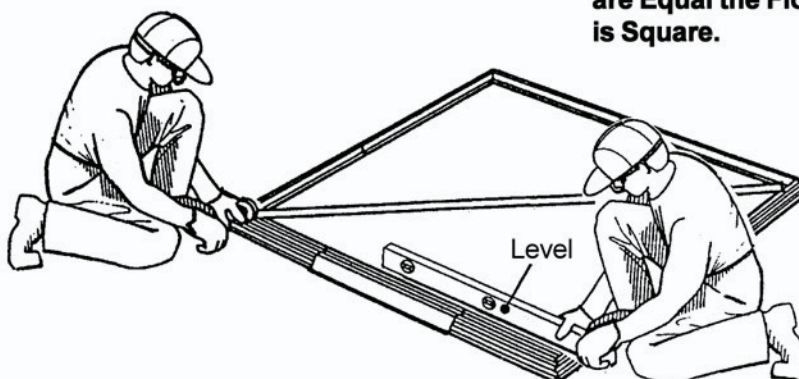


IMPORTANT!

Measure the floor frame diagonally. When the diagonal measurements are equal, the floor frame is square.





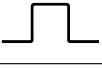

NOTE

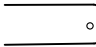











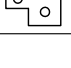




If using a wood platform or concrete slab do not fasten the floor frames to your base at this time. You will anchor the building after it is erected.

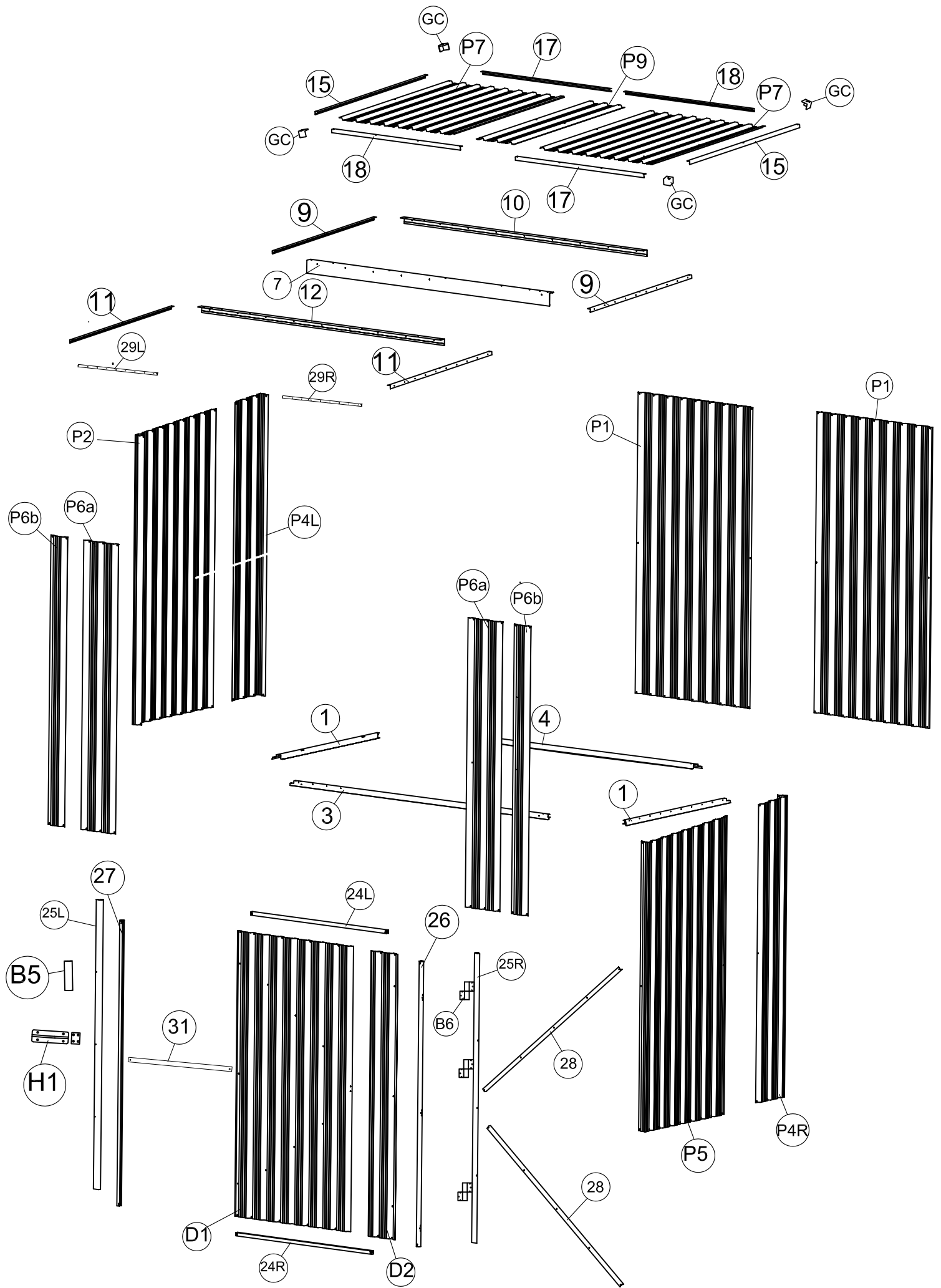


When Diagonal Measurements are Equal the Floor Frame is Square.

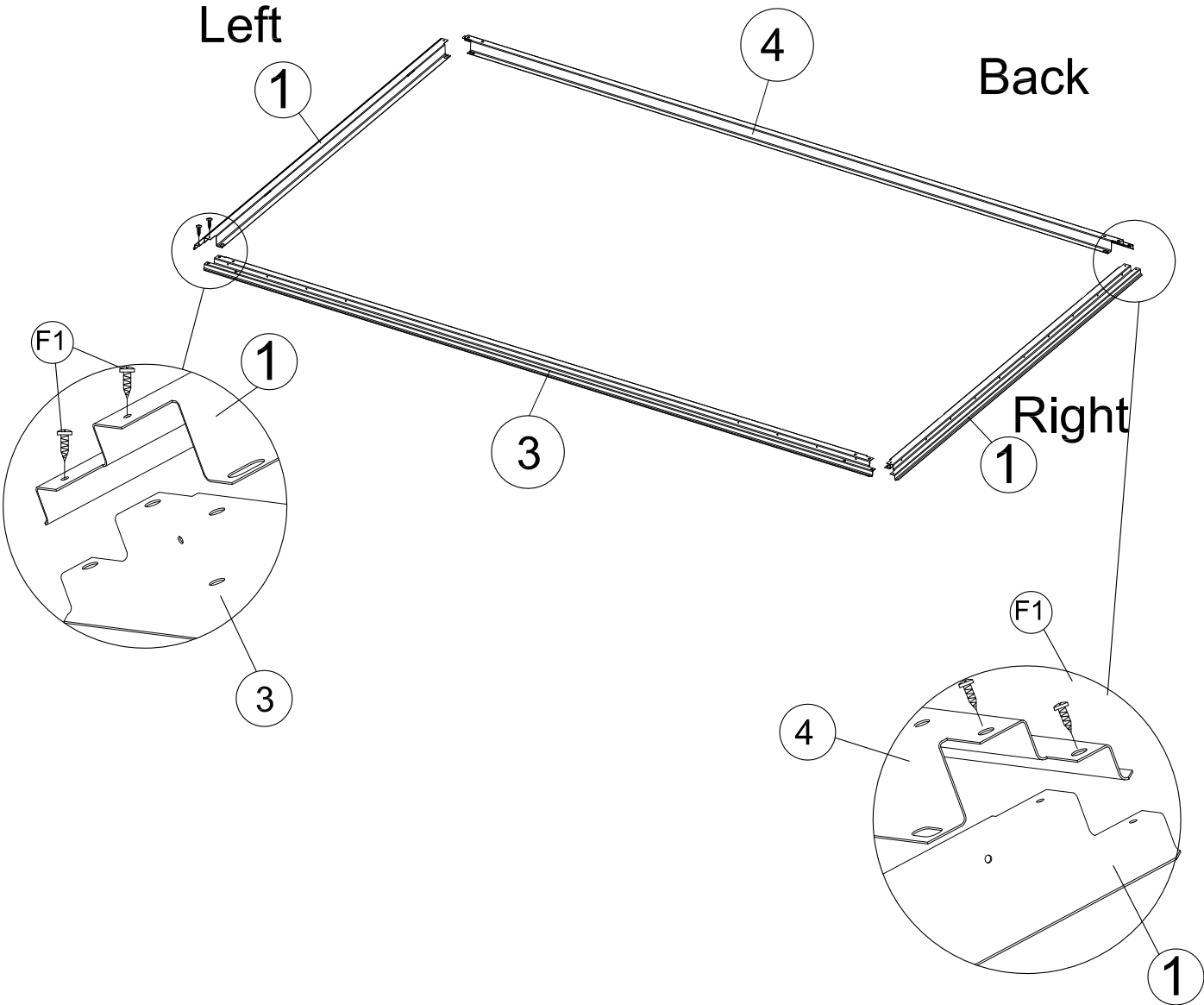
PARTS LIST

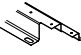
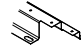
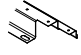
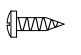
PART	NO.	Qty.
	1	2
	3	1
	4	1
	7	1
	9	2
	10	1
	11	2
	12	1
	15	2
	17	2
	18	2
	24L	1
	24R	1
	25L	1
	25R	1
	26	1
	27	1
	28	2
	29L	1
	29R	1

PART	NO.	Qty.
	31	1
	P1	2
	P2	1
	P5	1
	P4L	1
	P4R	1
	P6a	2
	P6b	2
	P7	2
	P9	1
	D1	1
	D2	1
	B5	1
	B6	3
	H1	1
	GC	4
	F1	215
	F2	16

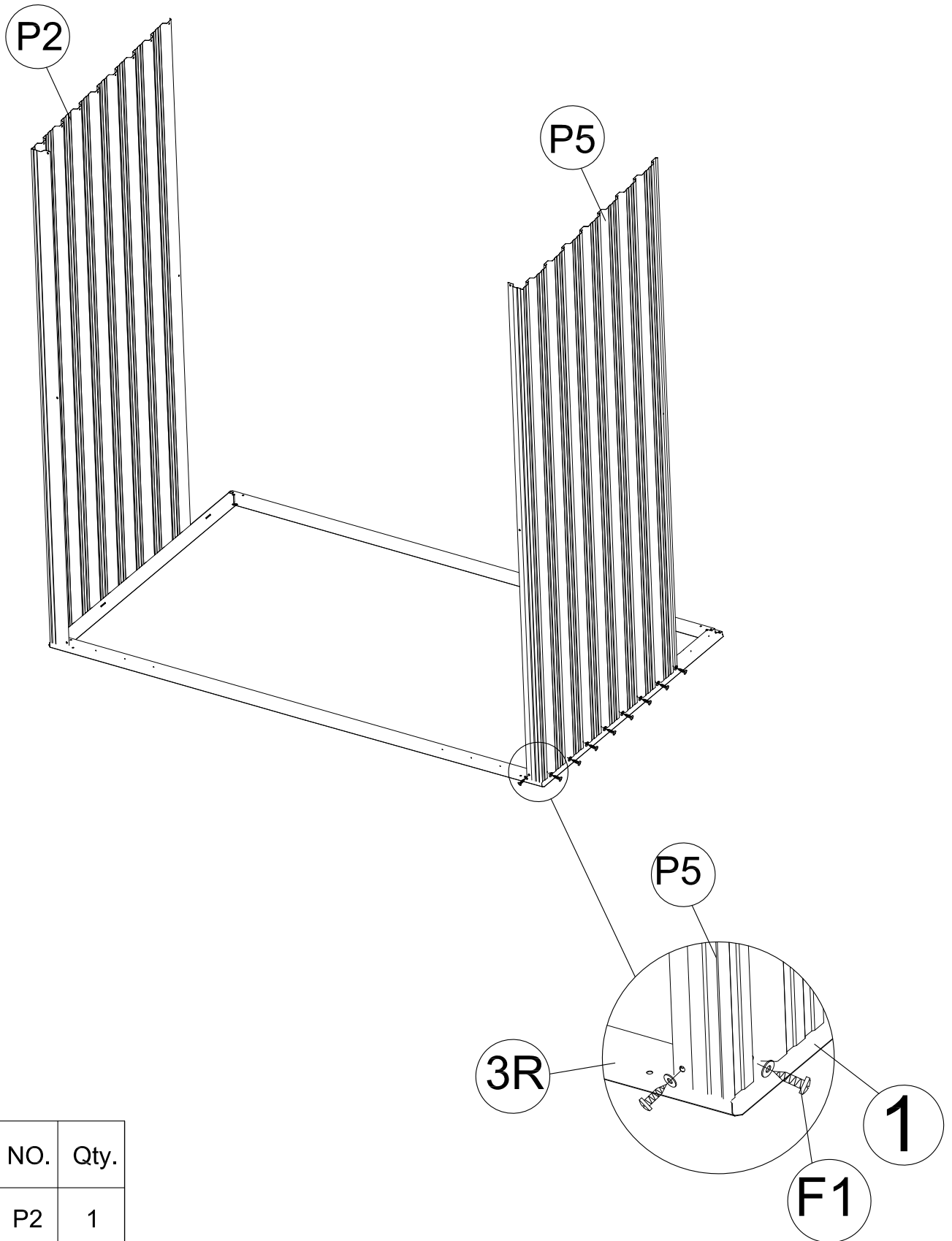




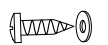
STEP 1



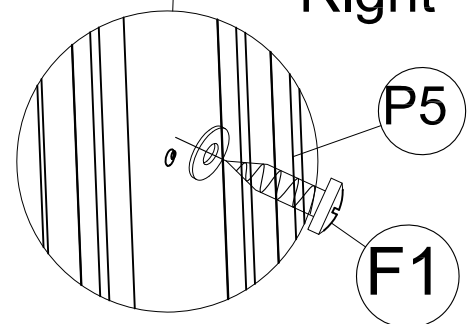
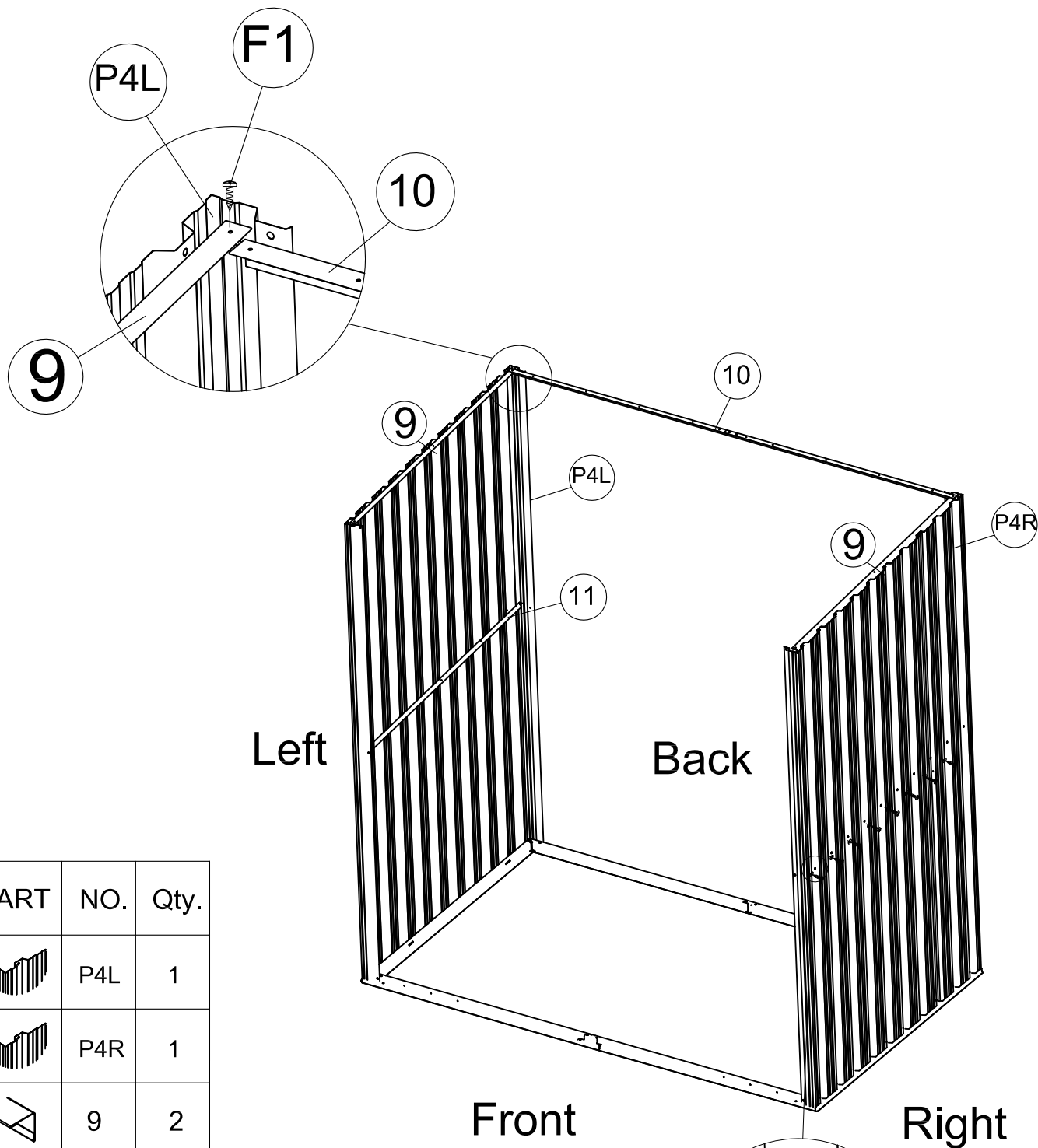
PART	NO.	Qty.
	1	2
	3	1
	4	1
	F1	





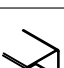

STEP 2



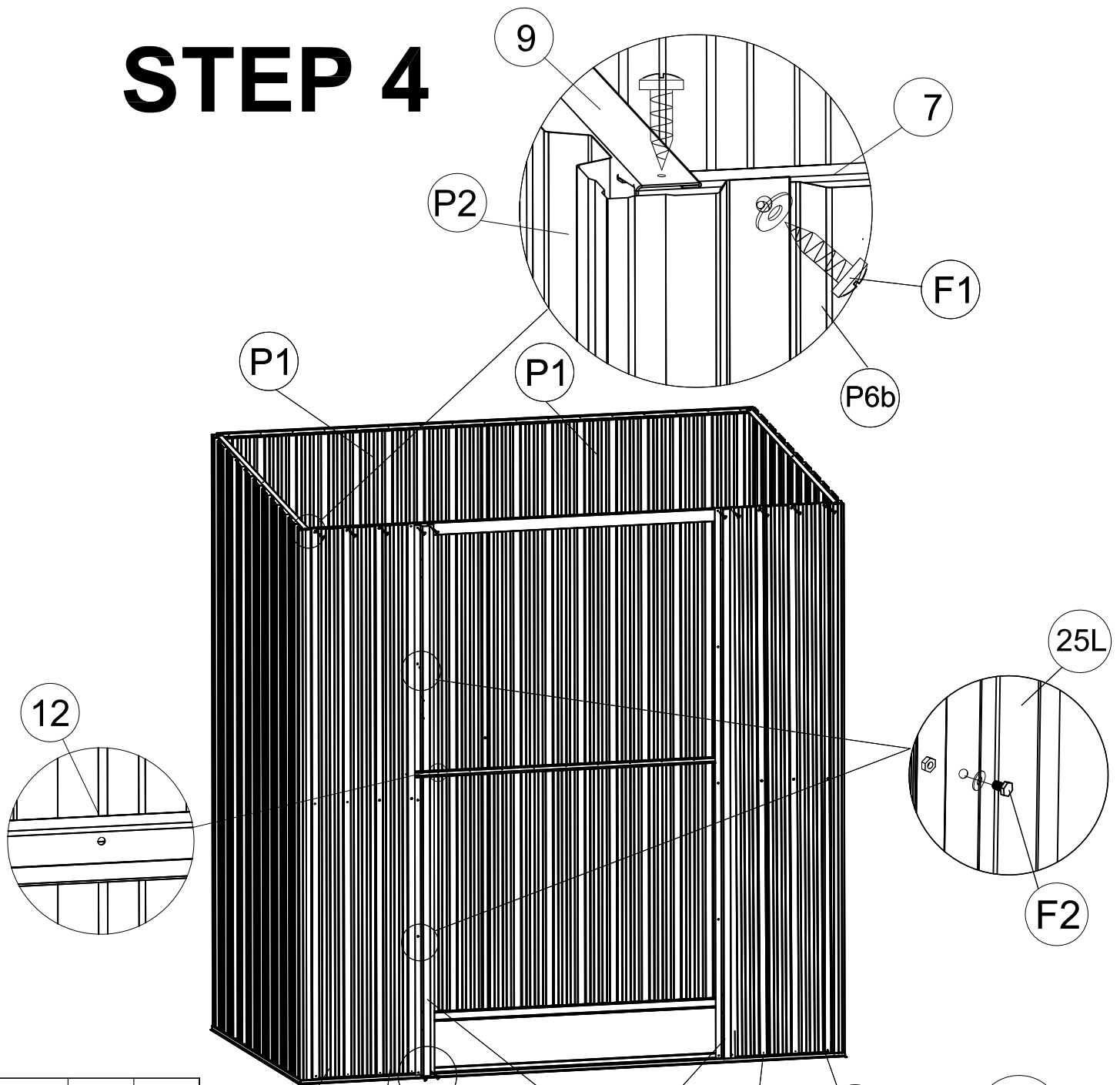
PART	NO.	Qty.
	P2	1
	P5	1
	F1	

STEP 3



PART	NO.	Qty.
	P4L	1
	P4R	1
	9	2
	10	1
	11	2
	F1	

STEP 4



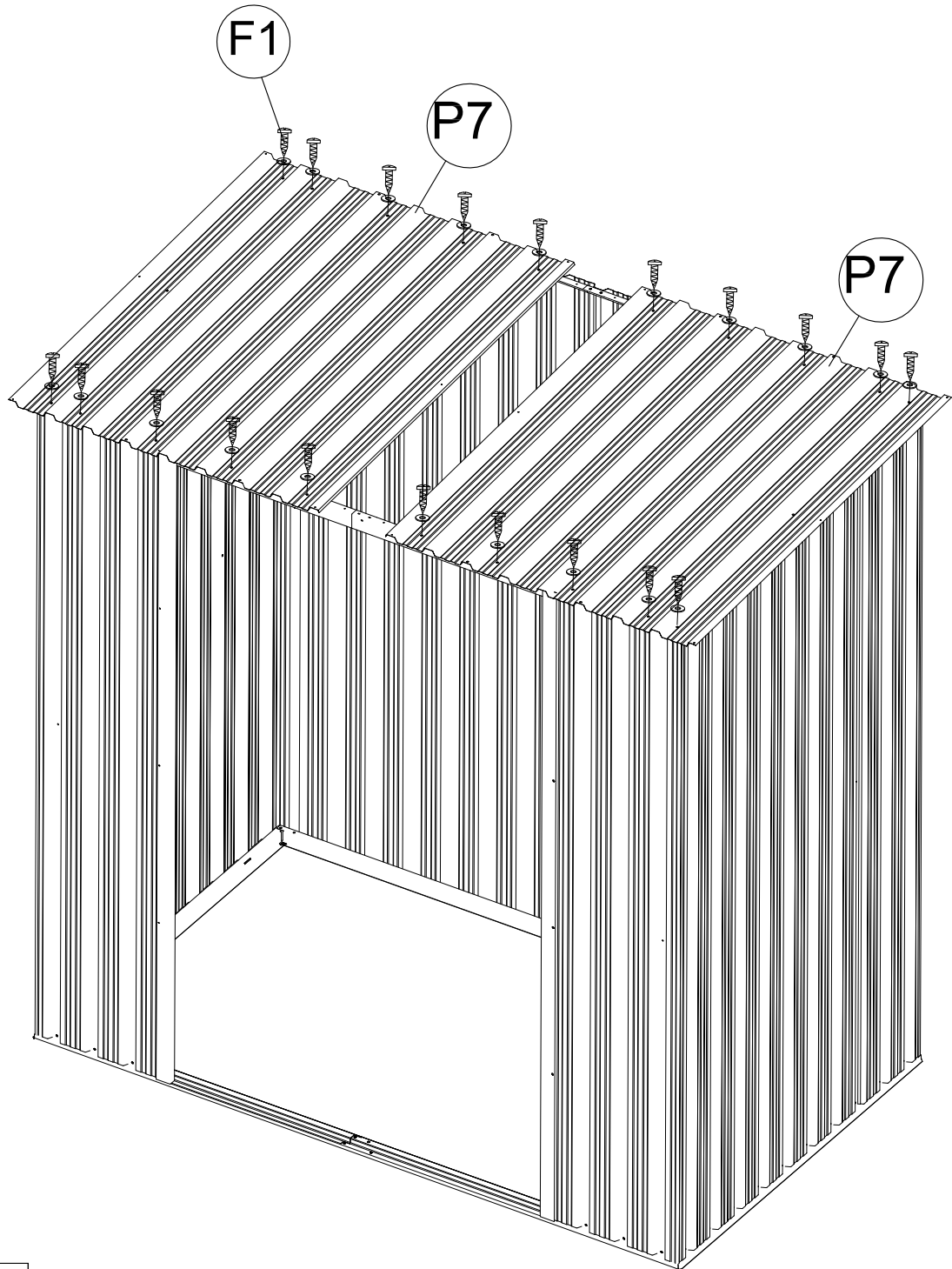
PART	NO.	Qty.
	P1	2
	P6a	2
	P6b	2
	25L	1
	25R	1
	7	1
	12	1
	B6	3
	29L	1



	29R	1
	F1	
	F2	

9

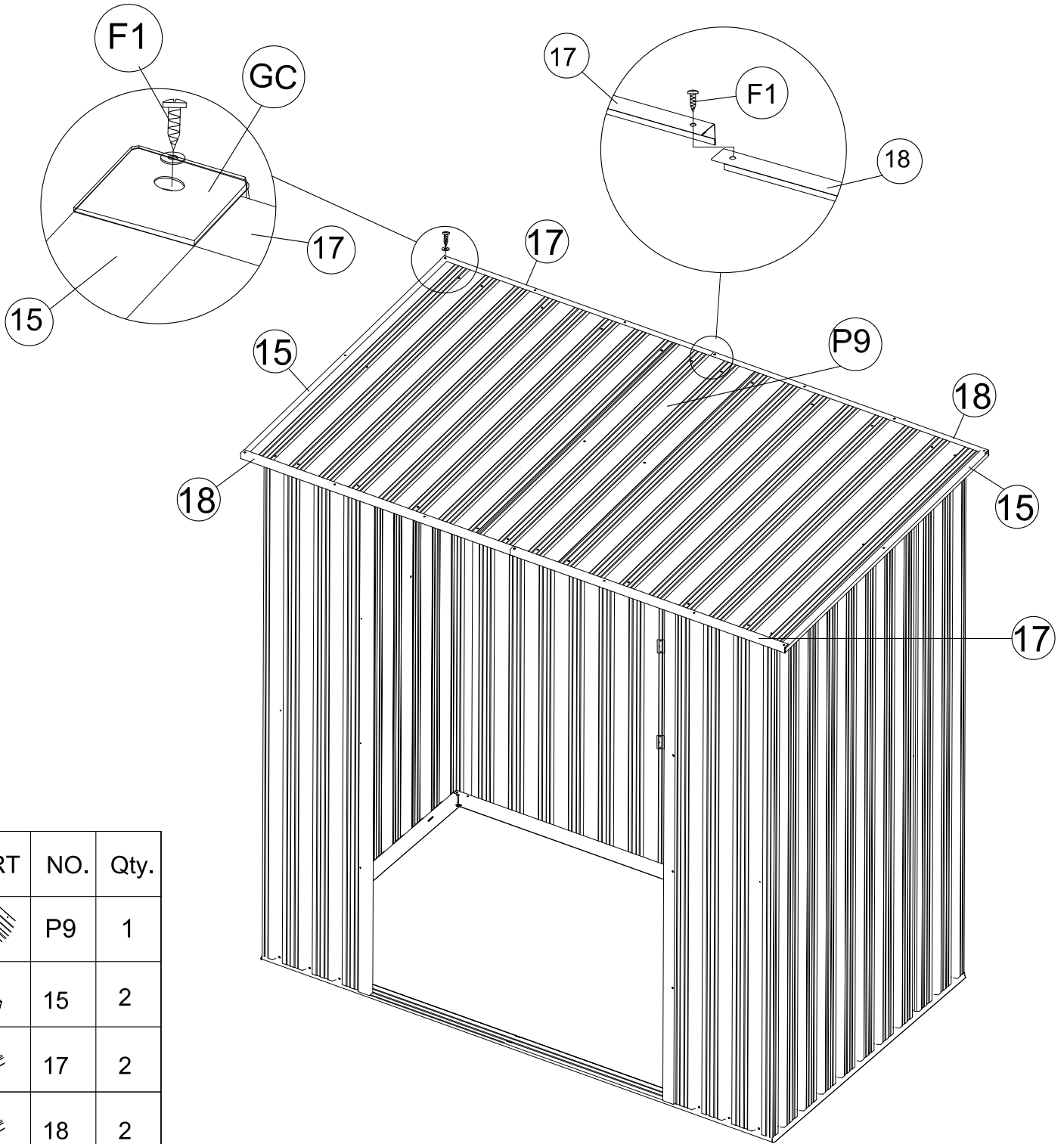
7


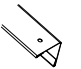
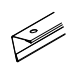

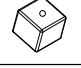
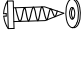
STEP 5



PART	NO.	Qty.
	P7	2
	F1	

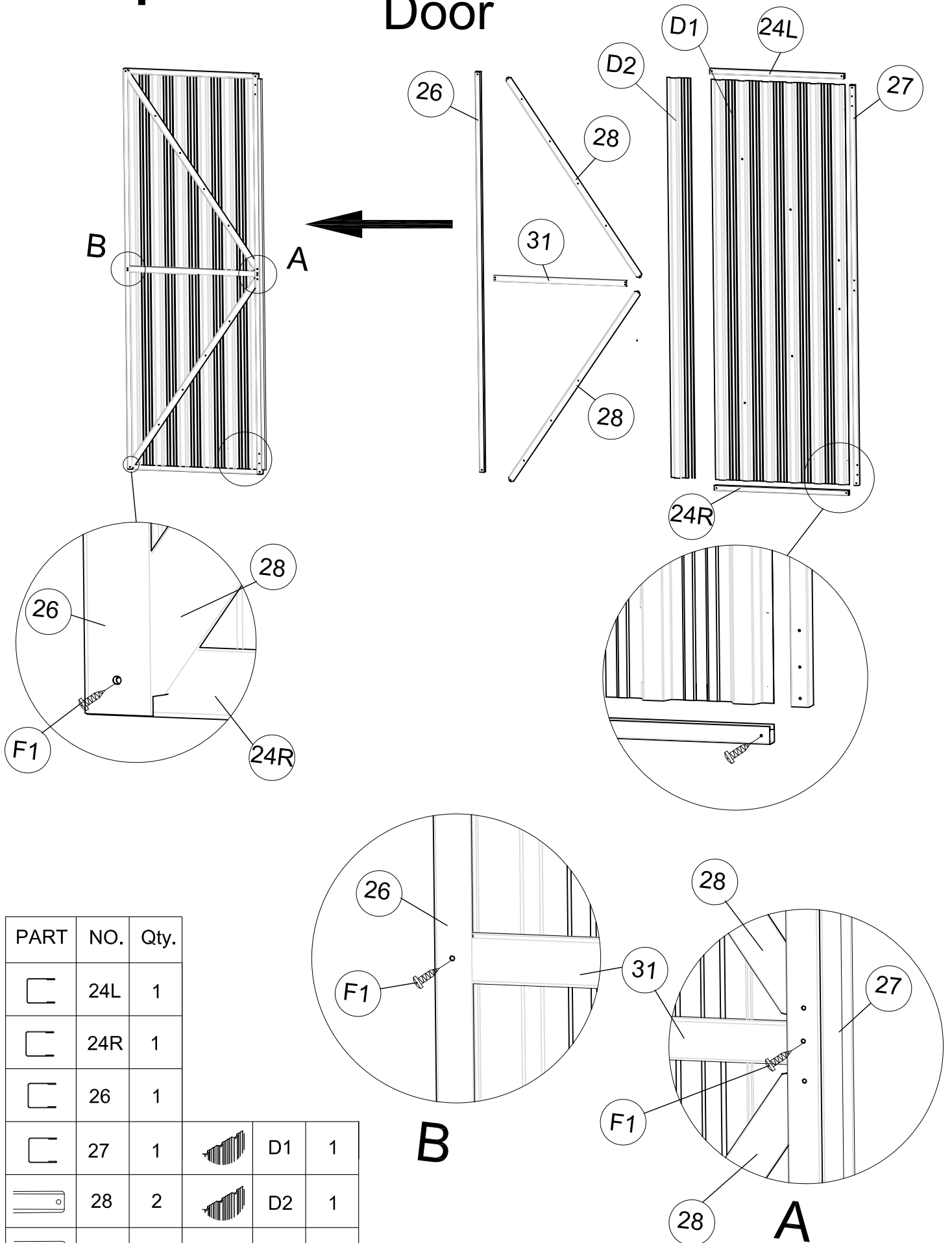
STEP 6



PART	NO.	Qty.
	P9	1
	15	2
	17	2
	18	2
	GC	4
	F1	

Step 7

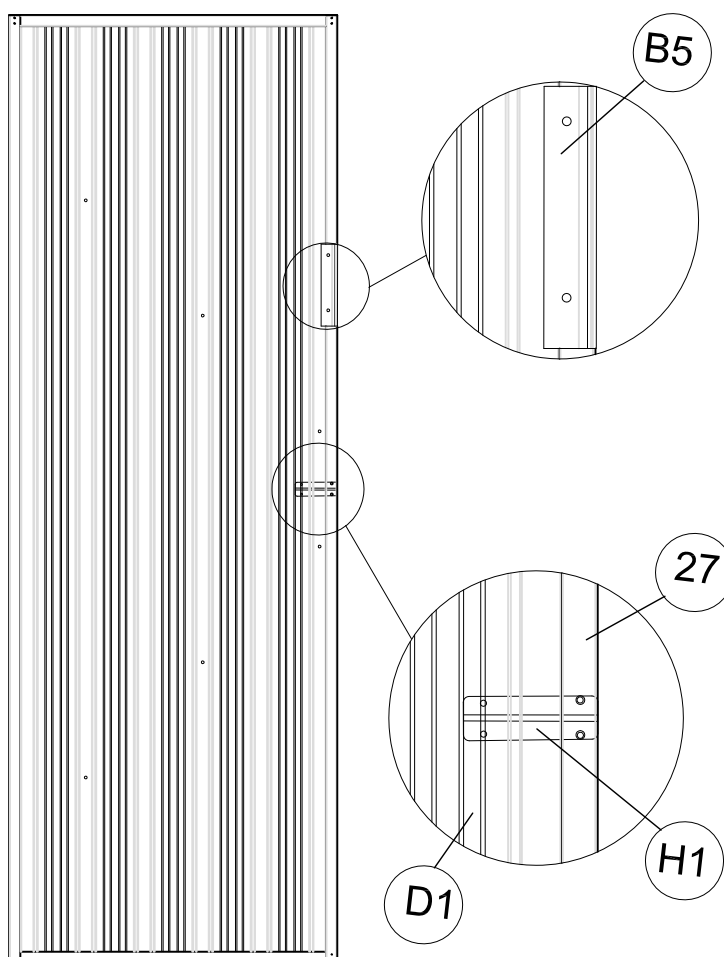
Door


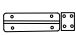
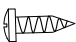


PART	NO.	Qty.			
	24L	1			
	24R	1			
	26	1			
	27	1		D1	1
	28	2		D2	1
	31	1		F1	

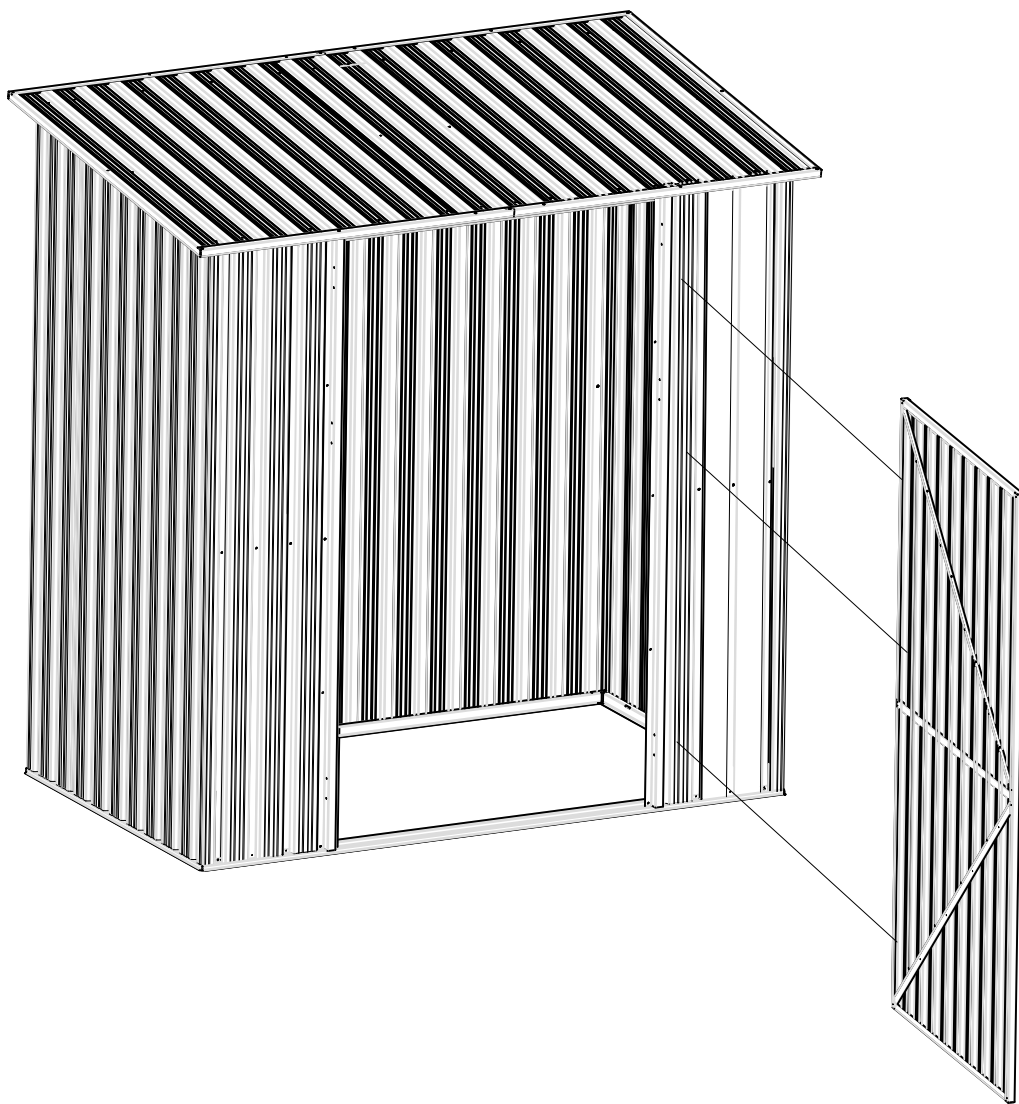
Step 8

Door




PART	NO.	Qty.
	B5	1
	H1	1
	F1	

STEP 9

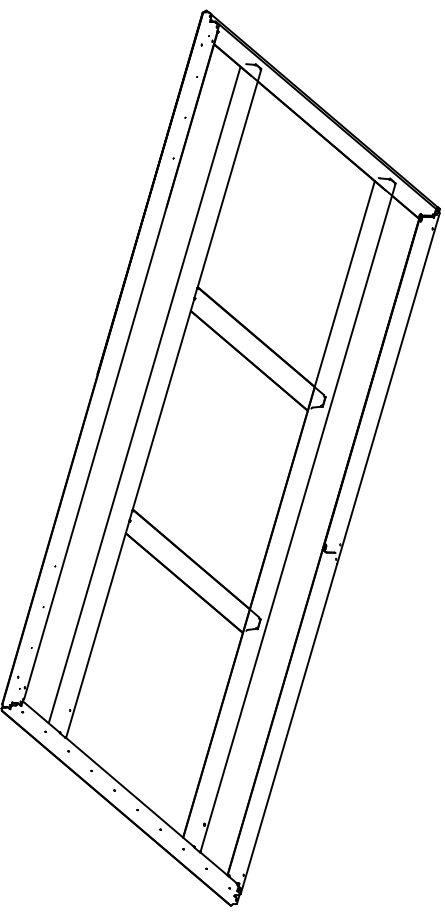


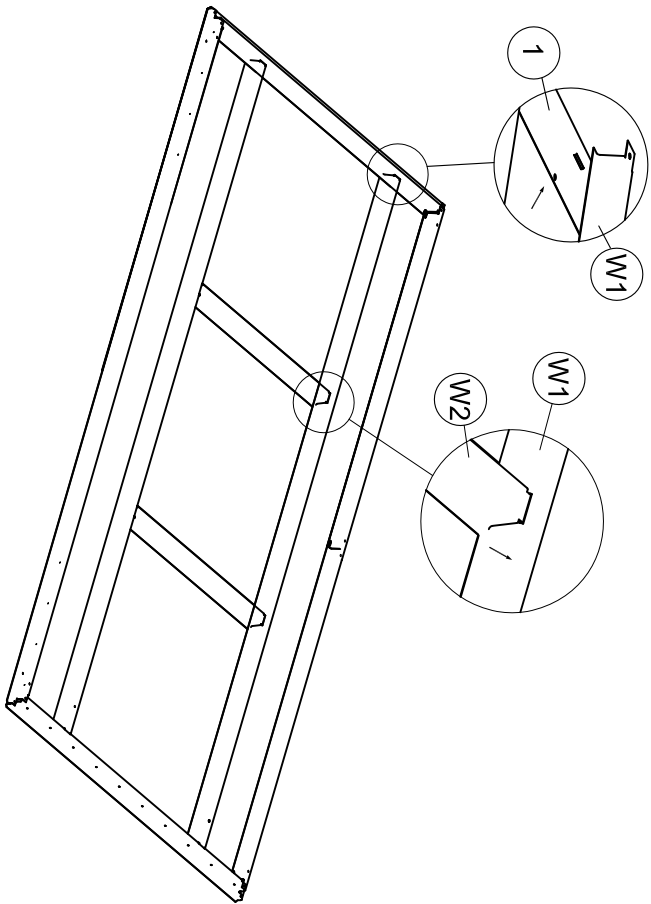
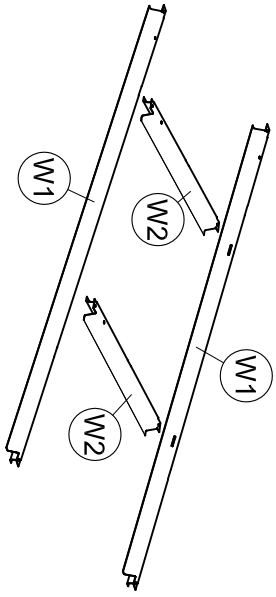
Door



PART	NO.	Qty.
	F1	6

Metal Garden Shed Foundation Kit

Instructions for Assembly





PART	NO.	Qty.
	W1	2
	W2	2